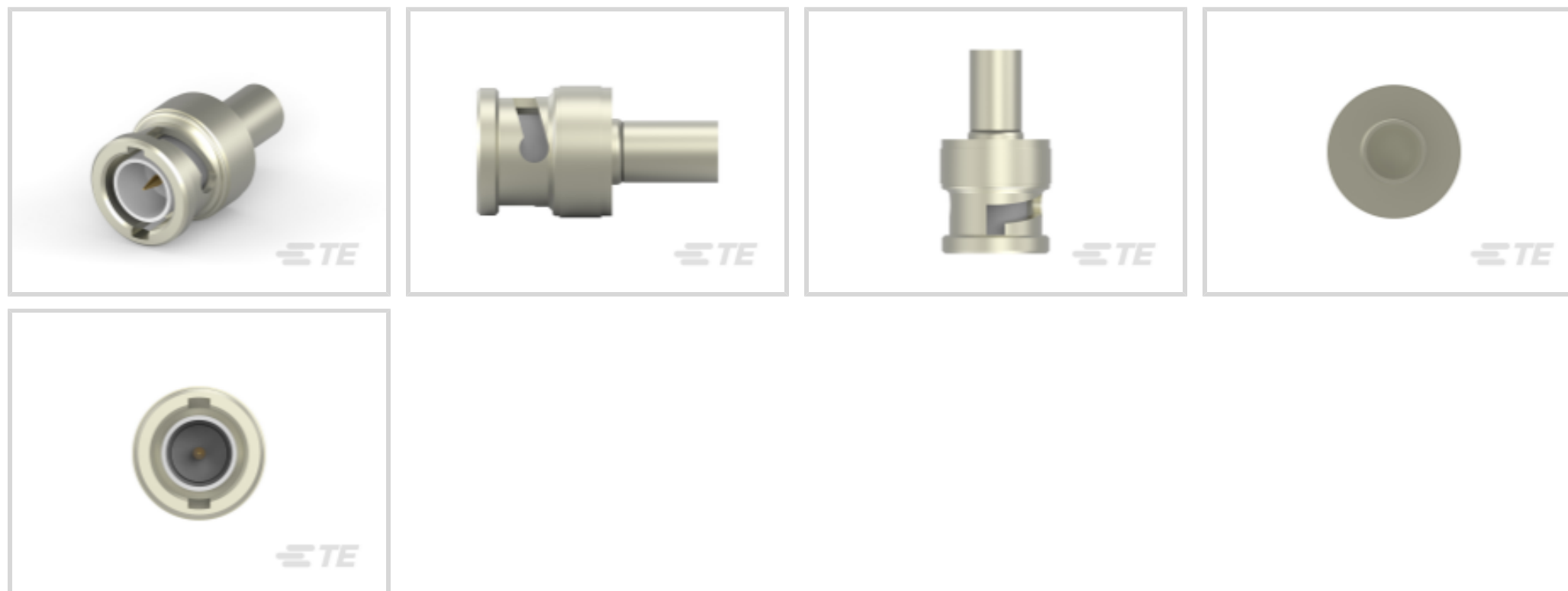




Connectors > RF Coax Connectors > RF Connectors



RF Interface: **BNC**

RF Connector Style: **Plug**

RF Connector Mated Outer Diameter (Approximate): **14.53 mm [.572 in]**

Impedance: **75 Ω**

Compatible With RF Cable Type: **Belden 9248**

Features

Product Type Features

Connector Shape	Circular
RF Interface	BNC
RF Connector Style	Plug
Compatible With RF Cable Type	Belden 9248
Connector System	Cable-to-Cable
Sealable	No
Connector & Contact Terminates To	Wire & Cable

Configuration Features

Number of Positions	1
Number of Coaxial Contacts	1

Electrical Characteristics

Impedance	75 Ω
-----------	------

Body Features

Cable Connector Orientation	Straight
Body Material	Die Cast Zinc
Body Plating Material	Nickel

Contact Features

RF Connector Center Contact Underplating Material	Nickel
	1080 μ m
Crimp Type	Dual
RF Connector Center Contact Plating Material	Gold
RF Connector Center Contact Material	Brass

Termination Features

Termination Method to Wire & Cable	Crimp
------------------------------------	-------

Mechanical Attachment

RF Connector Coupling Mechanism	Bayonet
Connector Mounting Type	Cable Mount (Free-Hanging)
RF Contact Captivation Method	Mechanical
Detent	With

Dimensions

RF Connector Mated Outer Diameter (Approximate)	14.53 mm[.572 in]
---	-------------------

Usage Conditions

Insulation Option	Uninsulated
Operating Temperature Range	-65 – 85 °C[-85 – 185 °F]

Operation/Application

Operating Frequency	2 GHz
---------------------	-------

Packaging Features

Packaging Method	Carton
------------------	--------

Other

Coupling Nut Base Material	Brass
Grade	Commercial
Dielectric Material	Polyethylene

Product Compliance

[For compliance documentation, visit the product page on TE.com>](#)

EU RoHS Directive 2011/65/EU	Compliant with Exemptions
EU ELV Directive 2000/53/EC	Compliant with Exemptions

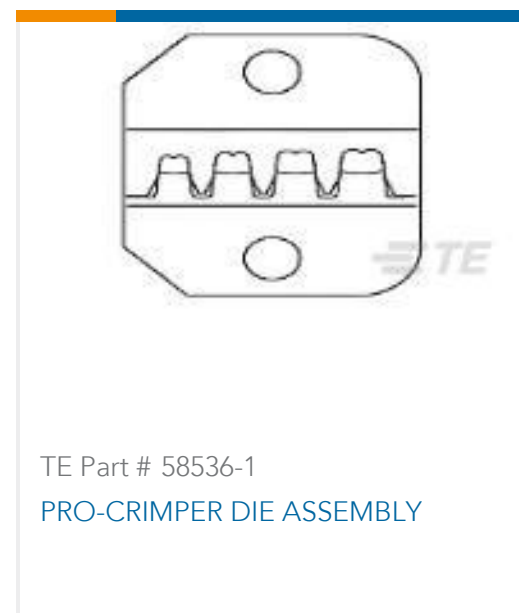
China RoHS 2 Directive MIIT Order No 32, 2016	Restricted Materials Above Threshold
EU REACH Regulation (EC) No. 1907/2006	Current ECHA Candidate List: JUNE 2022 (224) Candidate List Declared Against: JAN 2020 (205) Does not contain REACH SVHC
Halogen Content	BFR/CFR/PVC Free, but Br/Cl >900 ppm in other sources.
Solder Process Capability	Not applicable for solder process capability

Product Compliance Disclaimer

This information is provided based on reasonable inquiry of our suppliers and represents our current actual knowledge based on the information they provided. This information is subject to change. The part numbers that TE has identified as EU RoHS compliant have a maximum concentration of 0.1% by weight in homogenous materials for lead, hexavalent chromium, mercury, PBB, PBDE, DBP, BBP, DEHP, DIBP, and 0.01% for cadmium, or qualify for an exemption to these limits as defined in the Annexes of Directive 2011/65/EU (RoHS2). Finished electrical and electronic equipment products will be CE marked as required by Directive 2011/65/EU. Components may not be CE marked. Additionally, the part numbers that TE has identified as EU ELV compliant have a maximum concentration of 0.1% by weight in homogenous materials for lead, hexavalent chromium, and mercury, and 0.01% for cadmium, or qualify for an exemption to these limits as defined in the Annexes of Directive 2000/53/EC (ELV). Regarding the REACH Regulation, the information TE provides on SVHC in articles for this part number is based on the latest European Chemicals Agency (ECHA) 'Guidance on requirements for substances in articles' posted at this URL: <https://echa.europa.eu/guidance-documents/guidance-on-reach>

Compatible Parts

 <p>TE Part # CAT-076-BNCJKRA75C BNC RF Connector: Jack, Right-Angle, 75 Ohm</p>	 <p>TE Part # 5222132-1 JACK,VERTICAL,PCB,75 OHM,BNC</p>	 <p>TE Part # 5221221-5 JACK BLKHD 75OHM BNC</p>	 <p>TE Part # 5414217-1 BNC SOLDER RCPT</p>
 <p>TE Part # CAT-076-BNCRABAY BNC RF Connector: Male (Jack), Right Angle</p>	 <p>TE Part # 5413558-1 JACK,RTANG,PCB,75 OHM,BNC</p>	 <p>TE Part # 2-329082-1 BNC PLUG KIT POLYPROP</p>	 <p>TE Part # 1-1478052-0 BNC Pnl Plg 75Ohm Silver Pltd</p>



Documents

Product Drawings

PLUG 75 OHM COML BNC

English

CAD Files

3D PDF

3D

Customer View Model

[ENG_CVM_CVM_5221185-1_A.2d_dxf.zip](#)

English

Customer View Model

[ENG_CVM_CVM_5221185-1_A.3d_igs.zip](#)

English

Customer View Model

[ENG_CVM_CVM_5221185-1_A.3d_stp.zip](#)

English

By downloading the CAD file I accept and agree to the [Terms and Conditions](#) of use.

Datasheets & Catalog Pages



BNC Connectors

English

Product Specifications

Product Specification

English

Connector, Coaxial, 75 Ohm BNC Series, Commercial & Dual Crimp Types

English

Product Specification

Japanese

Product Environmental Compliance

TE Material Declaration

English

Instruction Sheets

Instruction Sheet (U.S.)

English